



Datasheet



LED Street Lighting **URBAN** Model

Luminaire Technical Information

The EFICAZ LED Street luminaire with its high performance & state of the art design guarantees professional lighting for urban and suburban contexts.

This product features advance cut-off IP-67 optical system that eliminates skyward light dispersion entirely and designed to save maximum energy while achieving high photometric performance. This allows the application in street lighting schemes where there is a significant distance between the poles.



Exclusive Features:

- Aesthetic contours
- Luminaire System Efficacy > 100 lm/W
- Tiltable LED Angle
- Modular UV protected optics increases luminaire efficiency by 20%
- Increased uniformity ratio by 25%
- Excellent Thermal Management
- Over Voltage Auto-Restart Protection

Even, non-dazzle lighting, no skyward dispersion and complete compliance with light pollution standards make EFICAZ LED an ideal street and residential lighting system. It decorates the urban landscape with its distinctive design and hi-tech style, as well as renewing a sense of communication and freedom by efficiently lighting streets, car parks, and green areas

EFICAZ LED Street Luminaires can yield up to 85-percent reduction in system energy compared with standard HID systems, depending on roadway applications.

Table of Contents

.....
 EFICAZ Exclusive Features

.....
 A. Technical Information

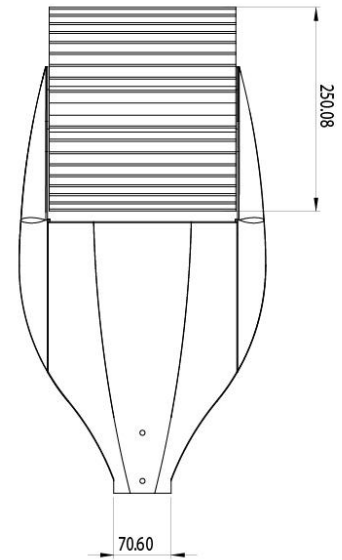
- Housing & Mounting
- Electrical Features
- Optical Features

.....
 B. Ordering Data

A. Technical Information

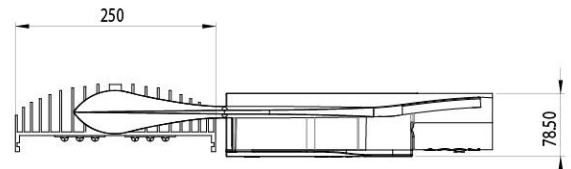
1) Housing and Mounting

Heat Sink Material		Aluminium
LEDs module Tilt	°	Adjustable
Optics I.D.		10322-1-2
Degree of Protection for optical module		IP 65 / 66 / 67
Lens Material		UV stabilized Polycarbonate
Lens Type		Modular
Mounting Height	m	9 -12
Mounting I.D	mm	58
Installation	Side entry	
Product Testing & Certifications	LM 79, CE, RoHS	



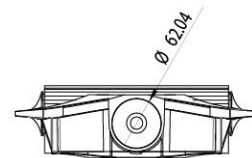
2) Electrical Features

Electronic Driver		ED-50/60/70/E
System Wattage	W	20,35,70,90,120,150
Mains Voltage	V	220-240
Mains Frequency	Hz	50
Power Factor		> 0.95
THD	%	< 10
Over Voltage - Auto Restart Protection	V	270-300
Surge Protection	KV	4

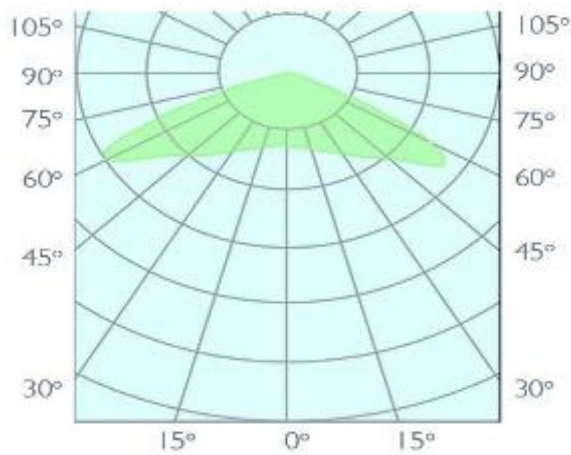


3) Optical Features

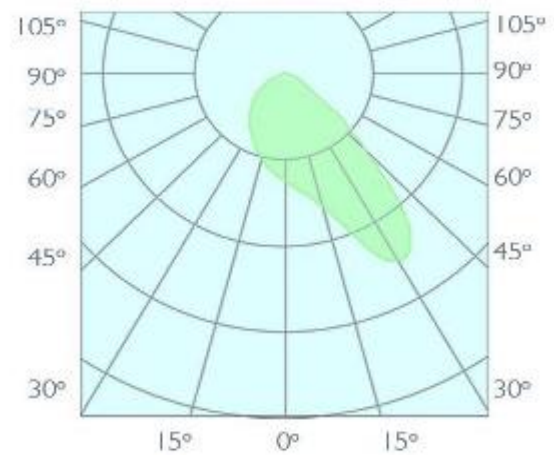
Light Source		High Powered LEDs		
LED Efficiency	lm	>140 / W		
Lifetime of LEDs		100.000 Hours L70 (6k) , Ta=85° C		
Colour Temperature	K	4000	5000	6000
System Efficacy	W	124	124	124



Photometrics



■ C0 - C180



■ C90 - C270

B. Ordering Data

Color	CCT Range (K)		CRI
	Min	Max	
Bright White	5700	6000	70
Cool White	5000	5300	70
Neutral White	4000	4300	75

Lamp	System Wattage	Substitute *	Dimensions (mm)	Weight	Shipping
	W	W	l x b x h	kg.	Units
EFICAZ 20W LED SL	20	55	412 x 80 x 55	1.5	200
EFICAZ 35W LED SL	35	70	412 x 80 x 55	1.5	200
EFICAZ 70W LED SL	70	150	500 x 190 x 90	2.5	200
EFICAZ 90W LED SL	90	150	500 x 190 x 90	2.5	200
EFICAZ 120W LED SL	120	200	596 x 304 x 82	5.00	200
EFICAZ 150W LED SL	150	250	596 x 304 x 82	5.25	200

* Substitute depends on road design. For design based lighting solutions, kindly contact Us.